

TOP FLOOR WATER TANK PLAN
SCALE 1:50

16.6.13

FOR REFERENCE!

OWNER: TEO TECH (THAILAND) CO., LTD.
PROJECT: NEW UNDER GROUND WATER
SCHEMATIC TITLE: PILING PLAN, TOP FLOOR & ROOF PLAN

DESIGN NO.: S-WT-D-01
REVISION: 0

NO.	REVISION	DATE	NO.	DATE	NO.	DATE	NO.	DATE	NO.	DATE

PROJECTED BY	STRUCTURAL ENGINEER
DESIGNED BY	ELECTRICAL DESIGNER
CHECKED BY	Mechanical Engineer
APPROVED BY	

PROJECT NO.	DATE	OWNER	DATE	NO. <td>DATE <td>NO. <td>DATE </td></td></td>	DATE <td>NO. <td>DATE </td></td>	NO. <td>DATE </td>	DATE

DOWN BY	SCALE	DATE
	A1:1/50	2016.03.31

FIRE PUMP DATA SHEETS

PROJECT NAME : TFO

REF. DIESEL FIRE PUMP SET (DFP-01)

FLOW : 1,893 LPM(500 GPM)

HEAD : 90 M.

1.1 PUMP DATA

BRAND : HYDROFLO
MANUFACTURER : HYDROFLO PUMP
STANDARD : NFPA-20 STANDARD
COUNTRY OF ORIGIN : U.S.A.
TYPE : VERTICAL TURBINE FIRE PUMP
MODEL : 11 ML / 5 STAGES
SPEED (RPM) : 1770 RPM
EFFICIENCY : 80.2%
PUMP MATERIALS
CASING : CAST IRON
IMPELLER : CAST BRONZE
SHAFT : STAINLESS STEEL
SEAL : PACKING SEAL
COLUMN PIPE : STEEL
DISCHARGE HEAD : DUCTILE IRON

1.2 ENGINE DATA

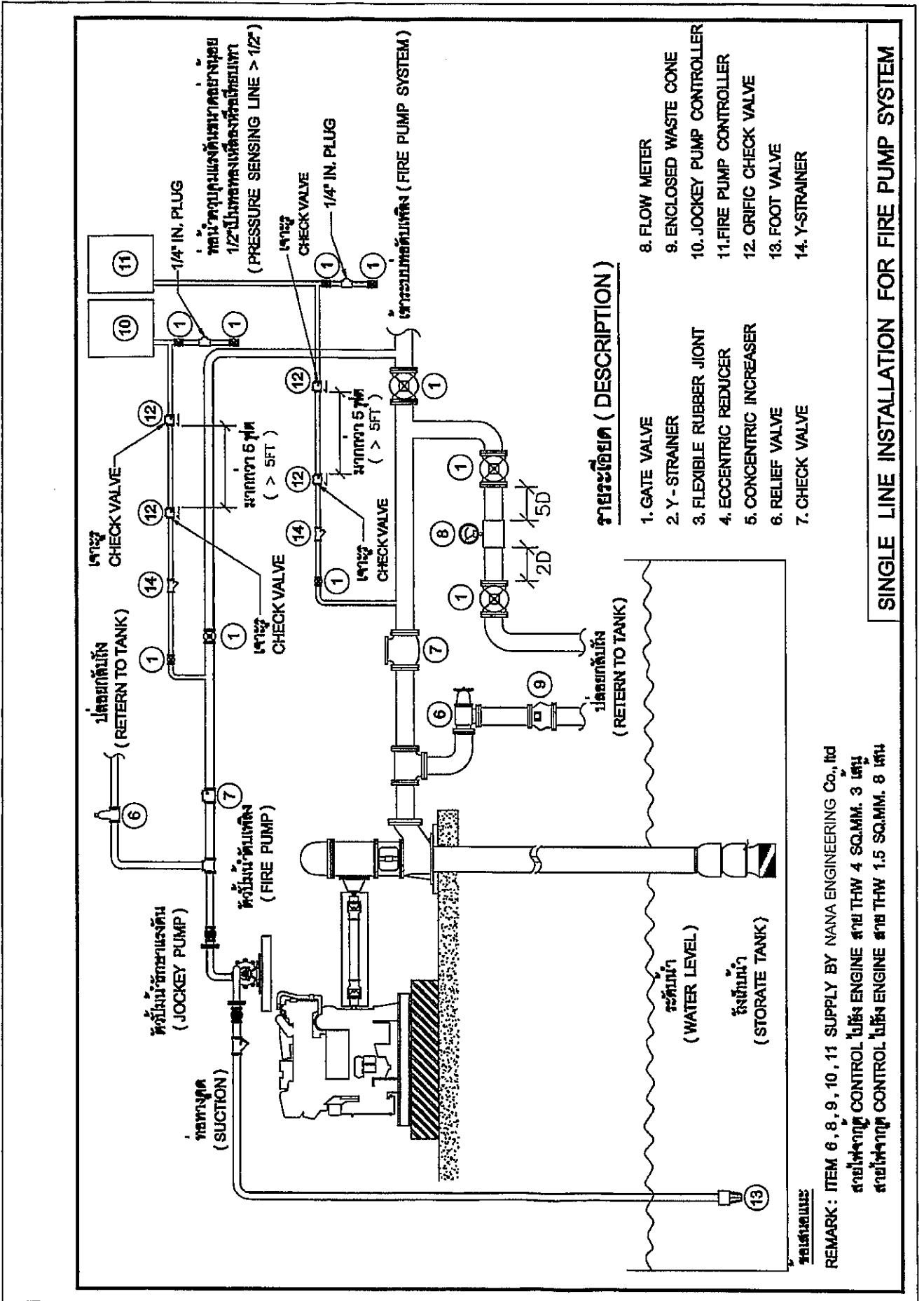
BRAND : CUMMINS
STANDARD : NFPA-20 STANDARD
MODEL : B3.3-C-85
HORSEPOWER (HP) : 85 HP
NUMBERS OF CYLINDERS : 4
SPEED (RPM) : 2100
COOLING SYSTEM : HEAT EXCHANGER
FUEL TANK : 400 L.

1.3 CONTROLLER DATA

BRAND : FIRETROL
STANDARD : UL LISTED AND FM APPROVED
MODEL : FTA-1100
POWER SUPPLY : SINGLE PHASE 220 V/50 HZ

1.4 FIRE PUMP FITTING

- AUTOMATIC AIR RELEASE VALVE SIZE 3/4 "
- SUCTION GAUGE AND FITTING SIZE 3-1/2 "
- DISCHARGE GAUGE AND FITTING SIZE 3-1/2 "
- MAIN RELIEF VALVE SIZE : 3"
- CLOSED WASTE CONE SIZE : 3"x 5"
- FLOW METER SIZE : 6" (FM APPROVED)



รายละเอียด (DESCRIPTION)

- 1. GATE VALVE
- 2. Y - STRAINER
- 3. FLEXIBLE RUBBER JIONT
- 4. ECCENTRIC REDUCER
- 5. CONCENTRIC INCREASER
- 6. RELIEF VALVE
- 7. CHECK VALVE
- 8. FLOW METER
- 9. ENCLOSED WASTE CONE
- 10. JOCKEY PUMP CONTROLLER
- 11. FIRE PUMP CONTROLLER
- 12. ORIFIC CHECK VALVE
- 13. FOOT VALVE
- 14. Y-STRAINER

SINGLE LINE INSTALLATION FOR FIRE PUMP SYSTEM

REMARK : ITEM 6, 8, 9, 10, 11 SUPPLY BY NANA ENGINEERING Co., Ltd
 ส่วนที่ควบคุม CONTROL ไม้ถัง ENGINE สำหรับ THW 4 SQ.MM. 3 นิ้ว
 ส่วนที่ควบคุม CONTROL ไม้ถัง ENGINE สำหรับ THW 1.5 SQ.MM. 8 นิ้ว